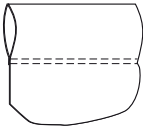




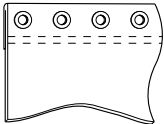
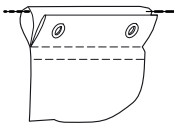










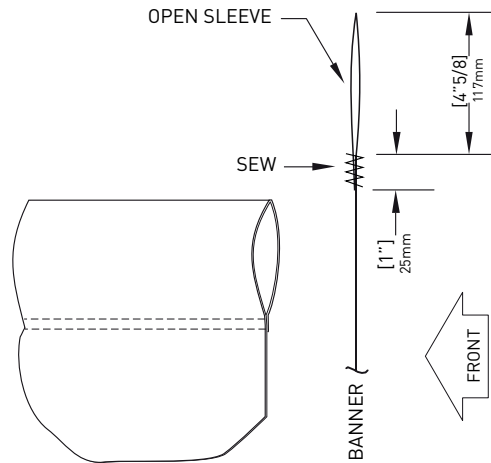


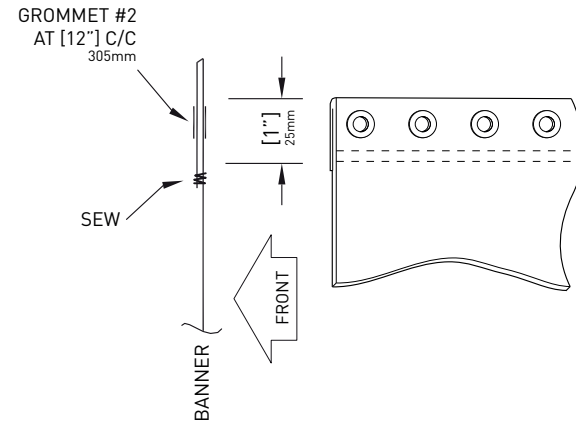
	50H		50S	
	TOP	BOTTOM	TOP	BOTTOM
 <p>Sleeve / Pocket</p>				
 <p>Grommet</p>				
 <p>Sleeve with Cable</p>				
 <p>Pocket w/ Grommet</p>				

 Finition not available

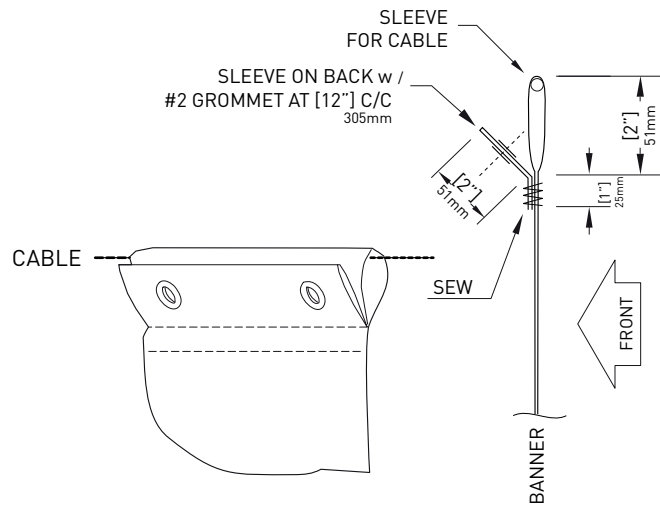
SLEEVE / POCKET



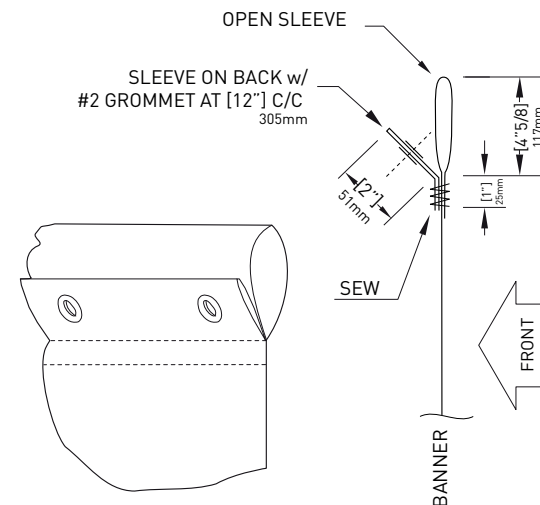
GROMMET



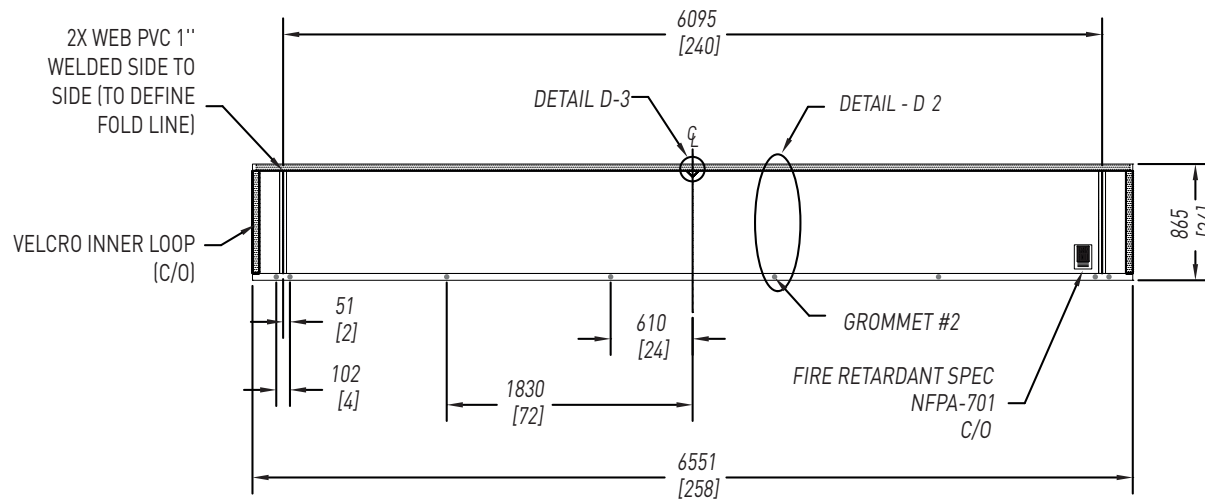
SLEEVE FOR CABLE



POCKET W/ GROMMET



50SK



SKIRT (outside view)

NOTES/REQUIREMENTS:

- 1- Notes on the drawing take precedence on those below.
- 2- Eyelets #8 must be reinforced with pvc webbing.
- 3- PVC webbing must be all in one piece. Otherwise, reinforce so that no strain is applied to the windwall.
- 4- The note "v/s" indicates the outside (visible side). The note "o/s" indicates the inside (opposite side).
- 5- Windwalls: matte side of vinyl must face inside.
Skirting: matte side of vinyl must face outside.
- 6- Full length guiding ropes must be threaded into all cables' hems. Ropes must have handles at each end.
- 7- Welding starts and stops of added-on elements such as flaps and hems must be sewn.
- 8- Include 12"x12" trimmings of the same material to allow for possible minor repairs.
- 9- Supply one (1) tarpaulin bag for transportation purposes and identify its content.

MATERIAL: Minimum 18oz grey vinyl, Fire retardant (NFPA 701 & CAN/ULC-S109)

SIZE: 36'-0" x 3'-0"

SURFACE: 108 SQ. Ft